



Trijicon MGRS® Mount

MK19 Mount Solutions



Adjustable Long Range Mount
(AC32123)



Fixed Mount
(AC32125)



Trijicon MGRS®
(MGRS-D-230000/5)

The Trijicon MGRS® MK19 Mounts are designed to provide a rapid optical mounting solution for the MK19 40mm Grenade Launcher. These mounts provide a stable platform for the Trijicon MGRS during observation and firing. Based on range from external devices or user estimation, the MK19 mount can be quickly adjusted to match the corresponding ballistics and correct for spin drift.

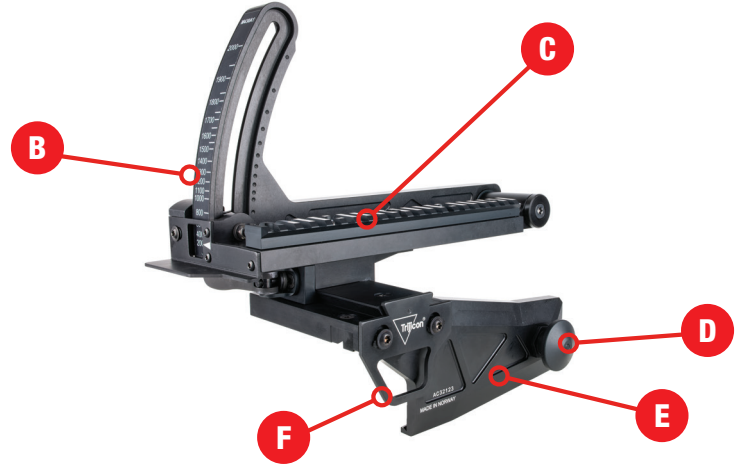
- 1** Designed for the Trijicon MGRS with optional 3x Magnifier.
- 2** Maintains target FOV while barrel is super-elevated out to 2,000m (depending on the model).
- 3** Holds zero and offers return-to-zero after removal and remounting.
- 4** Does not interfere with the MK19 operations or maintenance, including charging handle, feed tray cover, and grips. The feed tray remains accessible while the MGRS is mounted.
- 5** Allows mounting of other day/night optics that can be attached to 1913 Picatinny rails.

Specifications

	Adjustable Long Range Mount (AC32123)	Fixed Mount (AC32125)
Overall Dimensions (W x H x L)	10.8 x 10.2 x 6.1 in. (274 x 260 x 155 mm)	10.8 x 7.8 x 6.9 in (274 x 199 x 177 mm)
Height Above Receiver	10.3 in. (261mm)	10.2 in. (259mm)
Overall Weight	< 3.55 lbs (1.58 kg)	< 3.47 lbs (1.57 kg)
Range	2000m	1600m
Materials/Surface Treatments	Bronze, Anodized Aluminum, Black Oxide Stainless Steel (MIL Spec)	Anodized Aluminum, Black Oxide Stainless Steel, POM (MIL Spec)
Rail Interface	Compatible with Picatinny rail (MIL-STD-1913)	
Environmental	Designed according to MIL-STD-810 G, STANAG 2895, A1-A3, B1-B2, C0-C2	
Compatible Weapon Interface	MK19 40mm	
Ballistic Compensation	Designed for M430A1	
Spin Drift Compensation	2 Degrees linear over the full elevation range	

Features and Benefits

Adjustable Long Range Mount
(AC32123)



- A Elevation Adjustment Locking Lever**
Allows for rapid range adjustments on the ballistic compensating rail.
- B MK19 Ballistic Compensator**
Allows engagements out to 1600m or 2000m (depending on the model) with tactile and audible feedback every 100m.
- C Picatinny Rail**
Allows MGRS® to be quickly and easily secured.
- D Release Knob**
Secures the mount to interface dovetail.

- E MK19 Interface Dovetail Plate**
Allows the mount to repeatably attach to the interface dovetail.
- F Release Plate**
Quickly and easily allows removal of the Ballistic Compensator.
- G Long Range Adjustment Locking Lever**
Secures the Ballistic Compensator with mounted MGRS®, while repositioning to the right for engagement over 1500m.

Fixed Mount
(AC32125)

