

**Trijicon**<sup>®</sup>

Brilliant Aiming Solutions<sup>™</sup>



Instruction Card

**RMR MOUNT FOR  
4X32 ACOG<sup>®</sup> MODELS  
WITHOUT BOSSES**

## CAUTIONS

---

1. Before installing ensure the firearm is UNLOADED.
2. Remove ACOG® from firearm prior to installing mount.

# COMPONENTS

Upper Mount

Lower Mount

Lanyard Screw

(2) RMR Screws

(3) #6 - 32 x 1/2 in.  
Socket Head Cap Screws

Integrated Pin

## TOOLS

---

### **Provided:**

(1) – 7/64" Allen Wrench

(1) – 5/64" Allen Wrench

### **Needed:**

(1) – 7/64" Allen Head Torque Wrench  
(20 in.-lbs.)

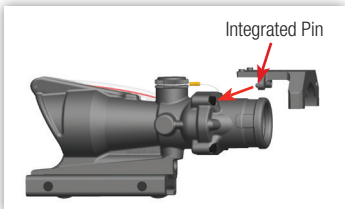
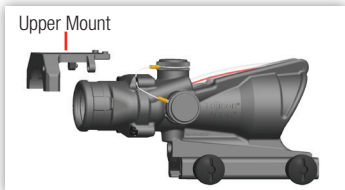
## INSTALLATION

**Step 1.** Locate the Lanyard Screw (Top Right) and remove. It will no longer be needed.

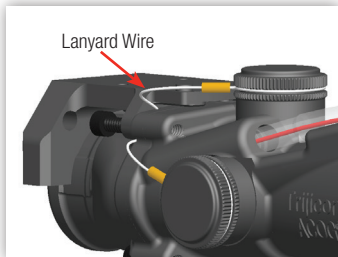
**Step 2.** Unscrew the Elevation Adjuster Cap. This will allow the lanyard wire to be repositioned during next step.



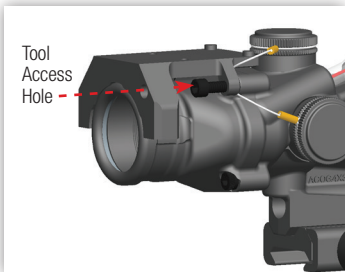
**Step 3.** Place the *Upper Mount* on top of the eyepiece. Ensure that the *Integrated Pin* inserts into the upper left screw head on ACOG®.



**Step 4.** Insert the lanyard screw making sure the *Lanyard Wire* is under the mount leg. Finger tighten the screw. Check that the lanyard wire remains moveable within the channel on ACOG® body.

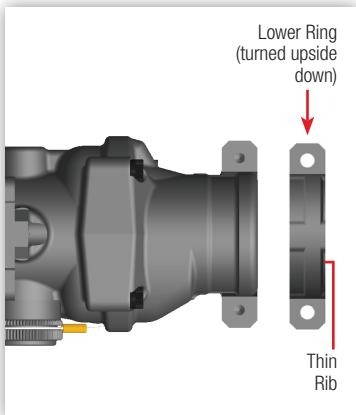


**Step 5.** Using a torque driver (through the *Tool Access Hole*), secure the screw to 20 in.-lbs. If a torque wrench is not available, use caution to not over-tighten the screw.

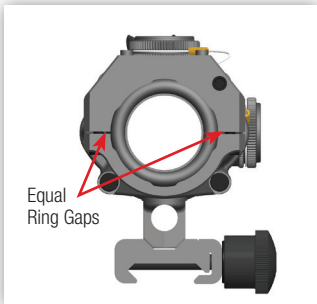




**Step 6.** Turn the ACOG® over and add the *Lower Ring* to the eyepiece. Orient the *Thin Rib* of the lower ring to the outer edge of the eyepiece.



**Step 7.** Secure the lower ring with two socket head cap screws. Tighten screws to 20 in.-lbs. taking care to keep the ring gaps the same on each side as shown below.



**Step 8.** Reattach adjuster cap.



**Step 9.** Attach the RMR® to the mount with the two RMR® screws provided, and reattach the ACOG® to the weapon system.

[WWW.TRIJICON.COM](http://WWW.TRIJICON.COM)

© 2015 Trijicon, Inc. | PML6012-1 Rev(0) 0315