



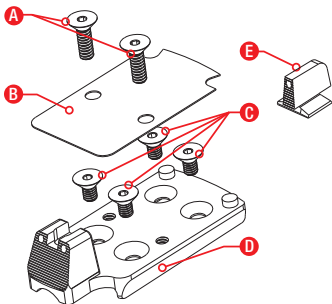
Brilliant Aiming Solutions™



1911 RMR® / SRO®
Mount with Integrated
Bright and Tough™ Night Sight

Instruction Card

Components



- A** 2 qty. #6 - 32 UNC x .440 LG
- B** 1 qty. Mount Sealing Plate
- C** 4 qty. #6 - 40 UNF x .25 LG
- D** 1 qty. Integrated Night Sight
- E** 1 qty. Front Sight



WARNING

- Any modifications made to a firearm should be made by a licensed professional gunsmith. Failure to do so will void the manufacturer's warranty and may result in an unsafe firearm, which could cause serious injury or death.
- Trijicon assumes no liability for installation, craftsmanship, and modifications made to a firearm or mounting system that may result in any of the following:
 - Personal injury or death,
 - Cause the firearm to not function properly or malfunction, or
 - Cause the firearm to become unsafe in any manner.
- Trijicon is not responsible for any damage to the sight, mount, mounting system or firearm during or after the installation mount.
- All dimensions are subject to change without notice.
- Align cutouts on the underside of the RMR mount with the firing pin safety if necessary.

Notes

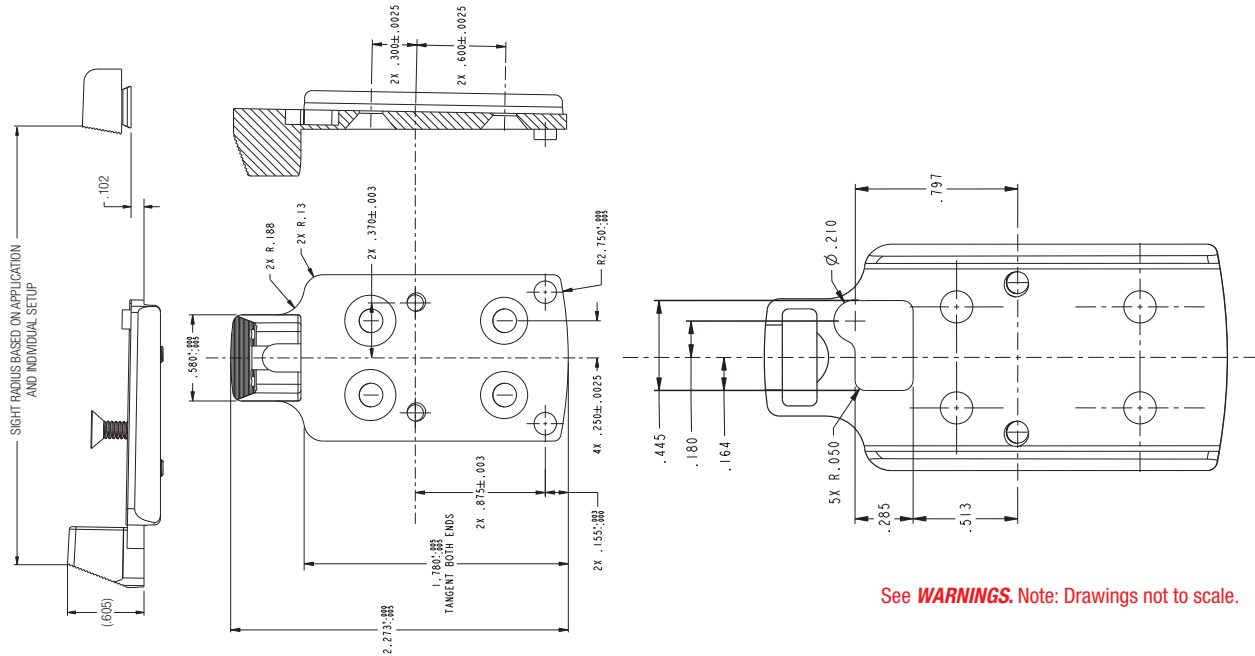
See **WARNINGS**. Note: Drawings not to scale.

The 1911 RMR® / SRO® mount with integrated back up iron sight is a fixed rear solution.

To achieve windage adjustments for point of aim (POA) point of impact (POI) the gunsmith must drift the front sight left or right. Move the front sight in the opposite direction you wish the point of impact to move.

Gunsmith is responsible for establishing correct height relationship between the front and rear sight. Correct height can be achieved by referencing the bottom of the front dovetail and milling the slide to the desired depth (see drawings).

Dimensions



See **WARNINGS**. Note: Drawings not to scale.



© 2022 Trijicon, Inc.

49385 Shafer Ave. | Wixom, Michigan 48393-0059

Phone: 1-248-960-7700 | Trijicon.com

Specifications subject to change without notice. | PML6005-1 Rev(2) 0622