

The logo features a large, solid red inverted triangle pointing downwards. The word "Trijicon" is written in a white, bold, sans-serif font across the middle of the triangle. The letter "i" in "Trijicon" has a small white dot above it. A registered trademark symbol (®) is located at the top right of the word.

Trijicon®

Instruction Manual

MRO®

(Miniature Rifle Optic)

Table of Contents

4	Warnings & Cautions	24	Adjustment Procedures
6	Introduction	30	Zeroing Procedures
8	Characteristics	34	Cleaning & General Care
10	Controls & Indicators	35	Models & Accessories
11	Identification & Markings	36	Troubleshooting
12	Preparation for Use	37	Patents & Trademarks
14	Operation	38	Limited Lifetime Warranty
20	Reticle Information	39	Contact
22	Installation Procedures		

 **WARNING**

Before installing the optic on a firearm, ensure the firearm is UNLOADED.

 **WARNING**

This Trijicon® product is shipped with a new lithium battery. Lithium batteries or lithium button cells pose the risk of fire. The battery can explode or leak and cause injury if installed backwards, disassembled, charged, crushed, or exposed to fire or high temperature.

Keep out of reach of children. Check local municipality for proper disposal.
California Only; Perchlorate Material – special handling may apply.

 **CAUTION**

DO NOT allow harsh organic chemicals such as Acetone, Trichloroethane, or other cleaning solvents to come in contact with the Trijicon MRO®. They will affect the appearance but they will not affect its performance.

Repair or maintenance other than that described in this manual is prohibited by anyone other than the manufacturer.

The Trijicon Miniature Rifle Optic (MRO®) is a reflex-style, sealed sight intended for use on rifles, carbines, and shotguns to provide fast target acquisition. It is designed to be used with both eyes open, providing the operator with maximum situational awareness.

The large aperture and tapered light path maximizes the viewing area in such a small optic, allowing for fast target engagement – especially from non-standard shooting positions. Advanced lens coatings and electronics produce a crisp reticle.

The brightness control dial on the MRO is specifically designed for ambidextrous usage. With a mid-adjustment “off” position and eight discernible brightness levels, this brightness dial allows for quick and ergonomic adjustments.

The MRO features fully protected adjusters that maintain zero even during rough handling, and can be adjusted without the need for special tools. Hard-anodized, forged 7075-T6 housing is fully sealed and waterproof, providing durability in demanding conditions.

Characteristics

	All MRO® Models
Magnification	1x
Objective Lens	25mm
Clear Aperture	0.805 in (20.4mm)
Adjustments	½ MOA per click
Adjustment Range (Windage)	70 MOA Total Travel
Adjustment Range (Elevation)	70 MOA Total Travel
Illumination Source	LED Powered by a CR2032 Lithium Battery
Waterproof Depth	100 ft. (30m)
Housing Material	7075-T6 Forged Aluminum Housing

For available mounting adapters, please visit our website.

Characteristics

	MRO®	MRO® Patrol	MRO® HD
Dimensions* (L x W x H)	2.6 x 1.7 x 2.0 in. (66 x 43 x 51.0mm)	3.6 x 1.8 x 2.0 in. (91 x 43 x 51mm)	2.9 x 1.7 x 2.1 in. (74 x 43 x 53mm)
Weight**	4.1 oz. (116g)	5.0 oz. (141.7g)	4.6 oz. (130g)
Red Dot Battery Life	5 years of continuous use on Day Setting 3 (5 of 8) at 70°F	5 years of continuous use on Day Setting 3 (5 of 8) at 70°F	2.5 years of continuous use on dot-only day setting 3 (5 of 8) 75 days of continuous use for complex reticle day setting 3 (5 of 8) at 70°F
Green Dot Battery Life	1 year of continuous use on Day Setting 3 (5 of 8) at 70°F	N/A	N/A
Brightness Settings	8 Total Settings (2 for use with Night Vision devices, 6 day settings, of which 1 is super bright)	8 Total Settings (2 for use with Night Vision devices, 6 day settings, of which 1 is super bright)	16 Total Settings Reticle with Center Dot: NV1, NV2, Day 1, Day 2, Day 3, Day 4, Day 5, Day 6 (Super-Bright) Center Dot Only: NV1, NV2, Day 1, Day 2, Day 3, Day 4, Day 5, Day 6 (Super-Bright)

*without mount

**with battery and without mount

Controls & Indicators

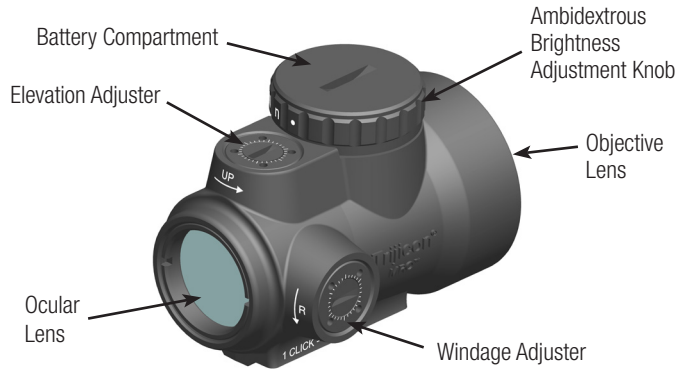


FIGURE 1

Identification & Markings

External Markings

The MRO[®] has external identification markings that are laser etched on the housing (**Figure 2**).

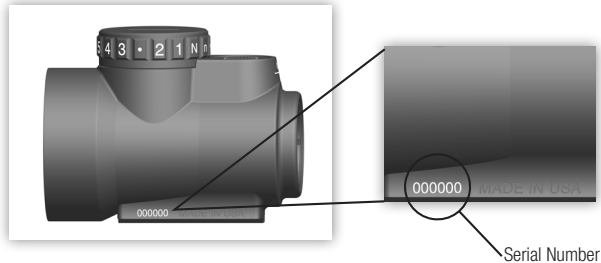


FIGURE 2

Preparation for Use

Installing the Battery

Unscrew the battery cap (**Figure 3**) by turning it counterclockwise using a coin or a flat-head screwdriver. Install the CR2032 battery, positive side (+) up, into the sight. Angle the battery slightly as it is inserted, then gently push it flush as shown in **Figure 4A**.



MRO &
MRO Patrol
Battery
Cap



MRO HD
Battery
Cap with
Lanyard

FIGURE 3

Preparation for Use

For the MRO[®] HD, insert battery towards lanyard retainer, then press flat against the bottom (**Figure 4B**). Inserting the battery improperly may bend the contacts, and will keep the optic from illuminating.



FIGURE 4A - MRO & MRO Patrol



FIGURE 4B - MRO HD

WARNING: This Trijicon® product is shipped with a new lithium battery. Lithium batteries or lithium button cells pose the risk of fire. The battery can explode or leak and cause injury if installed backwards, disassembled, charged, crushed, or exposed to fire or high temperature. Keep out of reach of children. Check local municipality for proper disposal. California Only; Perchlorate Material – special handling may apply.

The MRO® uses one (1) CR2032 lithium battery to power the unit, which is included in the original packaging.

The battery life (under normal operating conditions) for the various MRO models can be found on pages 8-9. Extremely high or low temperatures, and prolonged usage on higher settings will greatly affect the battery life.

For optimal performance, Trijicon recommends replacing the battery once per year at a minimum (more frequently if used on higher power settings).

Operation

To turn the MRO[®] on, simply rotate the *Brightness Adjustment Dial* to the setting which yields the preferred brightness level (**Figure 5**).

The numbered positions “1” through “6” are suitable for use without night vision equipment.



FIGURE 5

Operation

Settings “1” and “2” are suitable for low-light conditions, and setting “6” is a super-bright setting suitable for use in extremely bright environments.

The positions labelled “n” and “N” are the two settings for use in conjunction with an I² (image intensifier) night vision device. They will not be visible to the unaided eye in any conditions.



FIGURE 6 - MRO & MRO Patrol

Operation

The positions labelled by a dot symbol indicate unit is turned “Off” (**Figure 7**). There are a number of such “Off” positions, with the quantity depending on the particular MRO model.

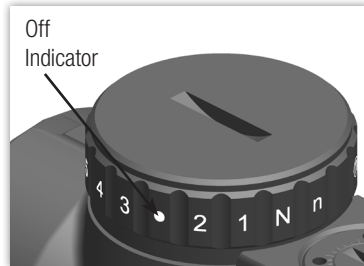


FIGURE 7

On the MRO HD, there is a dual reticle viewing option. Positions labelled with circles on the *Brightness Adjustment Dial* (**Figure 8**) display both the complex reticle and dot, while settings without circles will display only the dot reticle.

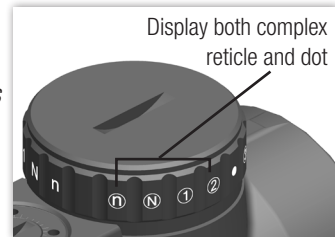


FIGURE 8 - MRO HD

Reticle Information

The center dot for the MRO[®], MRO[®] Patrol, and MRO[®] HD measure 2 MOA (Figure 9). The MRO HD features a complex reticle plus dot and specific measurements are shown in Figure 10.

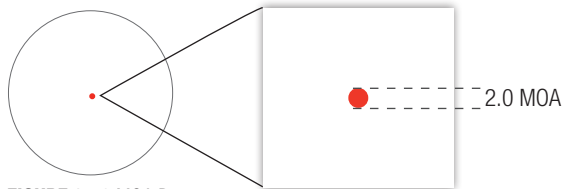
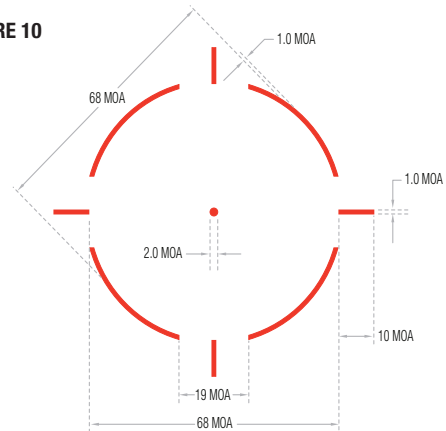


FIGURE 9 - 2 MOA Dot

Reticle Information

FIGURE 10



WARNING: Before installing the MRO® onto any firearm, ensure the firearm is UNLOADED.

Mount Assembly

The MRO has a unique interface for affixing to a mounting adapter. Trijicon, in addition to other after-market accessory manufacturers, specifically designed mounting adapters to work with this unique interface. Mounting adapters require four #4-48 screws.

The torque spec for the (4) #4-48 screws supplied with your mount should be torqued to 12 in./lbs. Any more than 12 in./lbs. and you risk stripping the threads out of the MRO housing. Please refer to your Mount Instructions for the MRO booklet for complete mounting instructions.

Once a mounting adapter is attached to the MRO, the MRO can be attached to the firearm as specified by the mount manufacturer.

Please use the instructions provided by the mount manufacturer for proper installation.

Internal Adjustment

The illuminated dot of the MRO® is internally adjustable by using the *Windage* and *Elevation Adjusters* (**Figure 11**). It is shipped with the illuminated dot in a factory centered position. Normally, this means that only small adjustments are necessary. Trijicon designed the MRO windage and elevation adjusters so that specialty tools were not required make adjustments. A coin, such as a dime or penny, rim of a cartridge case, or flat-head screwdriver will all fit the slot on the adjustment dial.

CAUTION: The windage and elevation adjusters should never be moved all the way to the extremes. It is possible that over-adjustment can damage the sight. When rotating the adjusters, the resistance will increase as you reach the limits of the mechanism. If adjusted past this point, the mechanism could break.

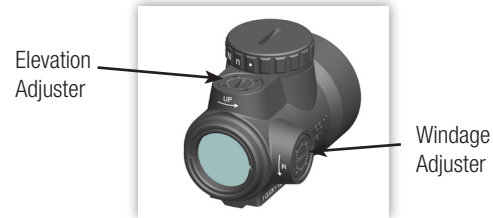


FIGURE 11

Elevation Adjustment

Moving the *Elevation Adjuster* in the direction of the arrow (counterclockwise) will move the bullet's Point of Impact (POI) UP as indicated on the adjuster (**Figure 12**). Adjustment increments are $\frac{1}{2}$ MOA per click, meaning that one click is required to move the bullet's impact approximately $\frac{1}{2}$ inch on a target at 100 yards. The amount of clicks can be detected through audible and tactile feedback.

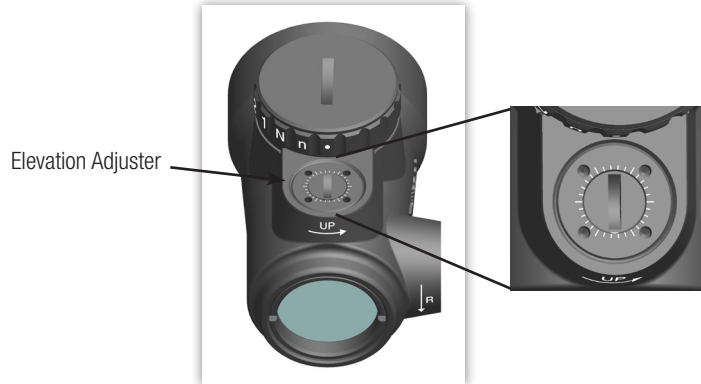


FIGURE 12

Windage Adjustment

Moving the *Windage Adjuster* in the direction of the arrow (counterclockwise) will move the bullet's Point of Impact (POI) RIGHT as indicated on the adjuster (**Figure 13**). Adjustment increments are $\frac{1}{2}$ MOA per click, meaning that one click is required to move the bullet's impact approximately $\frac{1}{2}$ inch on a target at 100 yards. The amount of clicks can be detected through audible and tactile feedback.

Windage
Adjuster



FIGURE 13

Zeroing for Firearm and Ammunition

Center the aiming dot on a target at the desired zero range and fire a precise shot group (minimum 3 rounds). Evaluate the location of shot group compared to your point of aim. The example in **Figure 14A**, the Point of Aim (POA) is the center of the target. The Point of Impact (POI) is high and to the right. Follow the procedures outlined in pages 16-20 until the Point of Aim is zeroed to the Point of Impact as shown in **Figure 14B**.

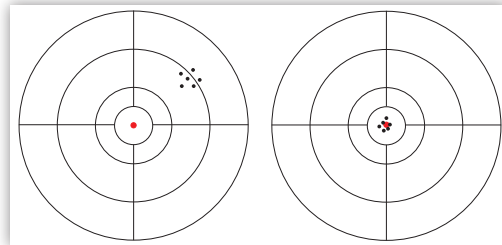


FIGURE 14A

FIGURE 14B

Zeroing Procedures

Verify the POA/POI with another shot group (minimum 3 rounds). If the POA/POI coincide, the optic is properly zeroed for the chosen bullet at the selected distance.

1 click = ½ MOA, which provides about ½ inch shift in bullet impact at 100 yards or ¼ inch per click at 50 yards.

Zeroing Procedures

NOTE: Anytime the MRO® is moved to a different firearm, the MRO needs to be re-zeroed for the new firearm. If the same firearm is used with different ammunition, re-confirm the zero.

General Information

This Trijicon® product requires very little maintenance. If the lenses become dirty, wash using fresh water and a soft clean cloth. Be sure to remove all foreign matter from the lens surface fully before wiping them with a soft cloth. The lenses can be scratched if any foreign matter is pulled along the lens by the cloth.

The outside lenses may fog over in cold weather. Remove fog by using a dry, clean, soft cloth. Anti-fog solutions can be applied to the exterior of the lenses to help prevent fogging during temperature changes.

Contact Trijicon Customer Service at 1-800-338-0563 or visit our website at www.Trijicon.com for all available mounts and accessories.

Please visit our FAQ page at www.Trijicon.com for answers to any questions you might have regarding your product. For more detailed information, please contact our Customer Service Department at 1-800-338-0563 or email us at customerservice@trijicon.com.

U.S. patents may apply to this product. For details, visit www.Trijicon.com/patents.

Limited Lifetime Warranty

The original owner of the Trijicon® product registered with the warranty card is entitled to repair or replacement (at our option) of the registered item if it should fail due to defects in material or workmanship during normal use. This warranty specifically applies to the optical systems and metal structure of the product and does not apply to the illumination system. Electronics are warranted to be free of defects in material and workmanship during normal use for a period of 5 years from the date of manufacture. If repair is necessary, please contact our Customer Service Department for return instructions. This warranty does not apply to defects caused by anything which is deemed abnormal, abusive, or improper including any fault resulting from an accident or improper service. Please note that the manufacturer's warranty will be void and the product cannot be serviced if it is exported from the United States in violation of U.S. Export Control Laws and Regulations. Any attempt at disassembly or repair will annul this warranty. This warranty gives you specific legal rights, and you may also have other rights which vary from state to state.

Contact

Trijicon, Inc.
49385 Shafer Avenue
P.O. Box 930059
Wixom, MI 48393

1-800-338-0563
248-960-7700

www.Trijicon.com

www.Trijicon.com