

Installation Procedures

Now that the magnifier is attached to the mount, it can be mounted to the weapon. First press the lever release. Holding down the lever release, rotate open the QD lever. Position the mount cross bar in the desired rail slot in order to achieve the desired eye-box position, and push the QD lever closed.

If the mount is too loose on the rail or the QD lever is very difficult to close, the mount can be adjusted using the mount adjustment nut. Turn the nut clockwise to tighten the fit between the mount and rail, or turn the nut counter-clockwise to loosen the fit. **DO NOT ADJUST THE MOUNT WITH THE LEVER IN THE CLOSED POSITION. DOING SO MAY CAUSE PERMANENT DAMAGE.**

Operation

The magnifier is intended to be mounted directly behind the primary optic on the weapon platform. When first mounting the magnifier behind the primary optic, the aiming dot from the primary optic may not be in the center of the field of view when viewed through the magnifier. The aiming dot can be moved in the field of view using the centering adjustments. The adjusters can be turned using a cartridge casing, small screwdriver, or coin. Making these adjustments in the magnifier will not affect the point of aim or point of impact of the weapon system.

The magnifier comes equipped with an adjustable diopter that allows the user to tailor the focus of the visible aiming dot to their unique visual acuity. Simply rotate the diopter until the aiming dot appears clear and crisp.

The mount design allows the magnifier to be rapidly flipped out of the way from behind the primary optic. To move the magnifier from behind the primary optic, push the optic to the side. When additional magnification is needed, simply pull the magnifier back into position behind the primary optic.

Cleaning & General Care

This Trijicon® product requires very little maintenance. If the lenses become dirty, carefully remove any large debris before wiping with a quality lens cleaner, isopropyl alcohol, or deionized water and a soft clean cloth.

The outside lenses may fog over in cold weather. Remove fog by using a dry, clean soft cloth. Anti-fog solutions can be applied to the exterior of the lenses to help prevent fogging during temperature changes.

DO NOT allow harsh solvents such as acetone, trichloroethane, or other cleaning solvents to come in contact with the optic.



Introduction

This magnifier optic is intended to extend the target identification and engagement range when paired with a primary optic such as the Trijicon® MRO HD, RMR, or other red-dot type optics. The quick action of the flip-to-side mount allows for rapid transition between close-quarters and intermediate ranges during rapidly evolving engagements.

Characteristics

Magnification	3x
Objective Lens	0.8 in (21mm)
Eye Relief	2.6 in (65mm)
Exit Pupil	0.2 in (5mm)
Field of View	7.2 Degrees
Dimensions (L x W x H)	2.9 x 1.5 x 1.7 in. (75 x 40 x 45mm)
Weight (with mount)	9.6 oz (271g)
Water Resistant	33 ft (10m)

Controls & Indicators

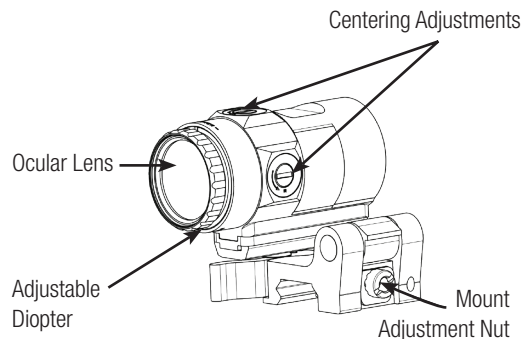


FIGURE 1

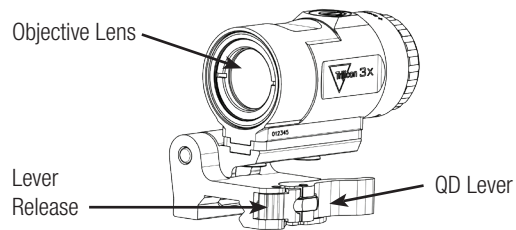


FIGURE 2

Preparation for Use

WARNING:

ALWAYS OBSERVE SAFE FIREARM HANDLING PRACTICES WHILE PERFORMING ANY WEAPON SERVICE OR INSTALLING ANY ACCESSORY.

Remove the magazine, open the action extracting any ammunition present, and verify that the chamber is clear before proceeding.

To attach the magnifier to the mount, first open the mount as shown in Figure 3. The magnifier can be used with primary optics mounted at either full or lower 1/3 co-witness heights. Secure the magnifier directly to the mount using the shorter screws when paired with a primary optic at the full co-witness height. For pairing with optics at the lower 1/3 co-witness height, place the riser plate between the magnifier and the mount and secure using the longer screws, as shown in Figure 3. The recommended mounting screw torque is 22 inch-pounds.

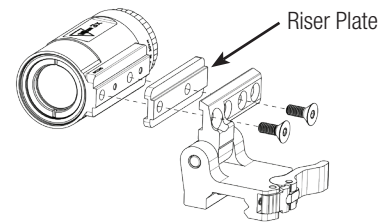


FIGURE 3

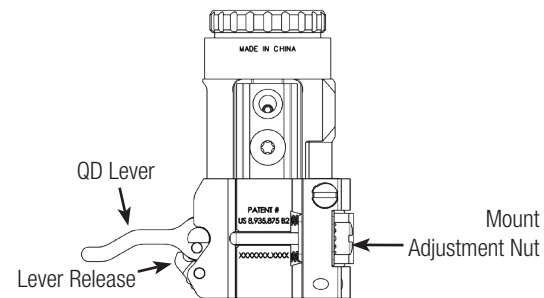


FIGURE 4

The mount offers two sets of mounting holes spaced 1/2 inch apart. This allows the user to better configure the position of the optic's eye box relative to the weapon.

Limited Lifetime Warranty

The original owner of the Trijicon® product registered with the warranty card is entitled to repair or replacement (at our option) of the registered item if it should fail due to defects in material or workmanship during normal use. This warranty specifically applies to the optical systems and metal structure of the product. If repair is necessary, please contact our Customer Service Department for return instructions. This warranty does not apply to defects caused by anything which is deemed abnormal, abusive, or improper including any fault resulting from an accident or improper service. Please note that the manufacturer's warranty will be void and the product cannot be serviced if it is exported from the United States in violation of U.S. Export Control Laws and Regulations. Any attempt at disassembly or repair will annul this warranty. This warranty gives you specific legal rights, and you may also have other rights which vary from state to state.

www.Trijicon.com

© 2019 Trijicon, Inc. | Printed in USA

Specifications subject to change without notice. | PML1039 Rev(0) 0319